

1

2

3

4

A

A

B

B

C

C

D

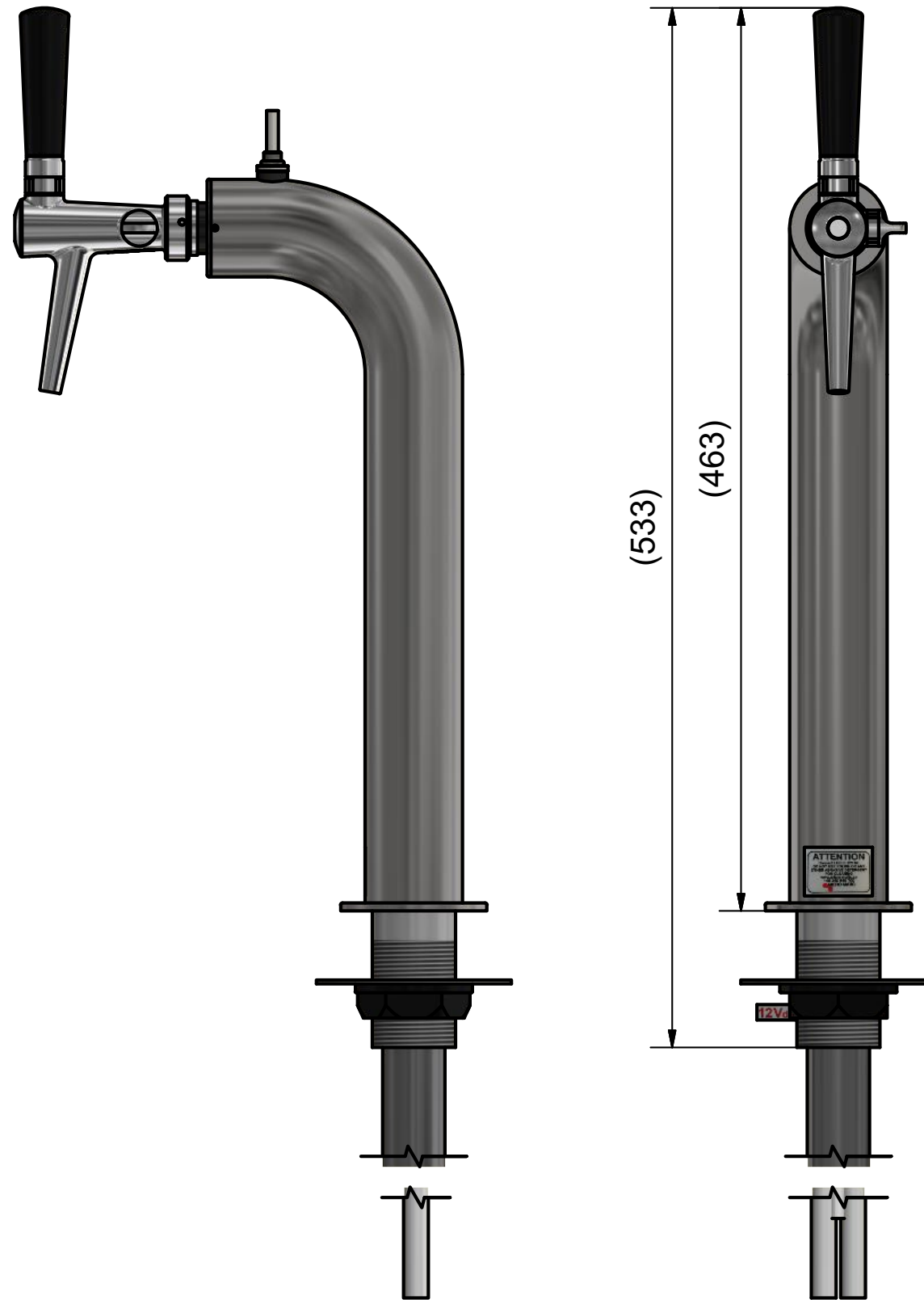
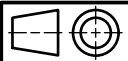
D

E

E

F

F




(533)

(463)

ATTENTION

12V

DESCRIPTION Berlin1 - Brushed SS - C-tap Comp.shank - Q/C	
	DRW.NO. - REV. 12-113C2

THIS DRAWING IS THE PROPERTY OF MICRO MATIC A/S AND MUST NOT BE USED, DISCLOSED OR REPRODUCED WITHOUT PRIOR WRITTEN AUTHORITY.

1

2

3

4